



# DeepDrive

Rethinking electric mobility

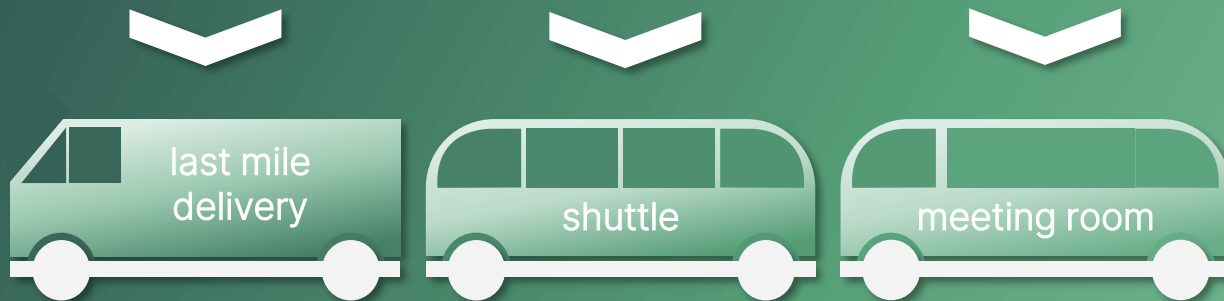
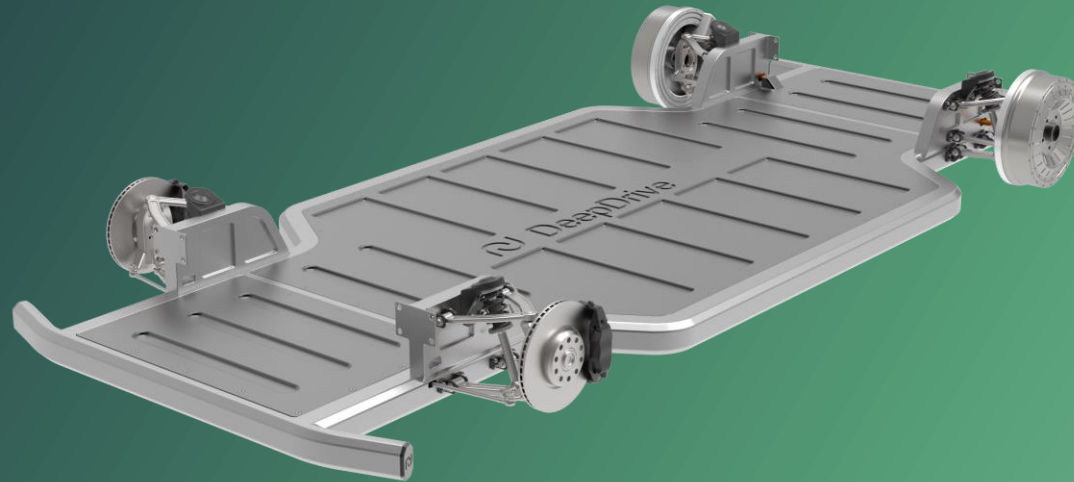
September 2021





# A plug & play platform for vehicle manufacturers

The DeepDrive EV platform includes all driving functions



~50%

less development costs of a new vehicle concept

>24 months

faster time to market

TCO optimised

Significant total cost of ownership reduction



# The first fully modular, completely flat electric vehicle platform

## Plug and play

- ▶ Completely flat platform due to in-wheel powertrain - anything fits on top
- ▶ Standardised interfaces

## Fully modular

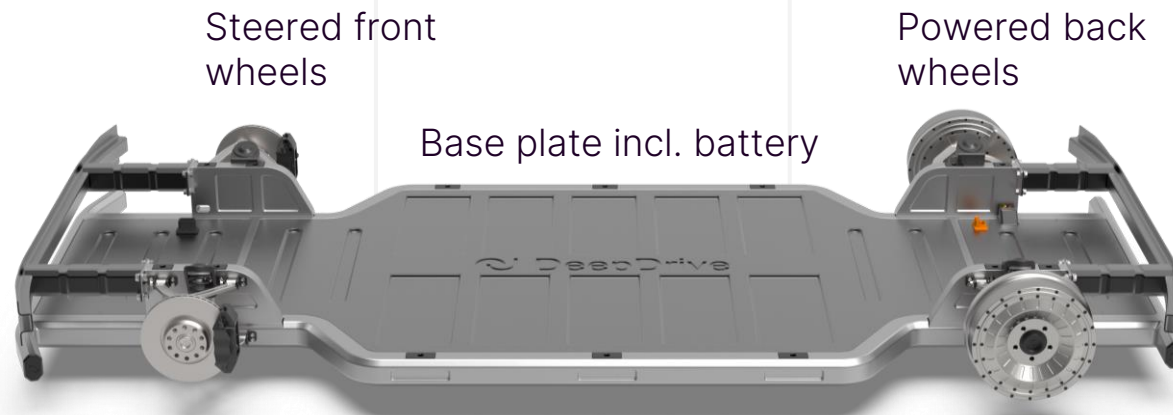
- ▶ Consisting of only 3 main components
- ▶ Exchangeable & upgradeable modules

## Significant lower TCO

- ▶ ~20% more efficient than current market standard
- ▶ Easy maintenance and less parts

## Highly sustainable

- ▶ ~50% carbon emission reduction
- ▶ Up to 4x vehicle lifetime



- ▶ Patented, highly efficient in-wheel e-powertrain with up to 250kW and 3,600Nm torque (~20% range increase)
- ▶ Range of >600km with LFP battery (80kWh) / >800km with NMC battery (>100kWh), ready for Sodium-Ion
- ▶ Majority of crash loads covered by platform
- ▶ 800V fast charging mechanism
- ▶ Autonomous-ready safety concept

Note: Range in WLTP cycle



# Platform portfolio

XS	<ul style="list-style-type: none"><li>▶ L7e vehicles, mini shuttles, last mile delivery</li><li>▶ 350km range</li><li>▶ Voltage level 60V (with 120V battery option)</li><li>▶ 15-30kW power</li><li>▶ Available for &lt;45km/h and &lt;80km/h</li></ul>	
S	<ul style="list-style-type: none"><li>▶ Small passenger vehicles, robo shuttles, in-city delivery</li><li>▶ Range &gt;450km</li><li>▶ Up to 150kW power</li><li>▶ &gt;160km/h</li><li>▶ Wheel-base 2,2m</li></ul>	
M	<ul style="list-style-type: none"><li>▶ Passenger vehicles, intermediate robo shuttles</li><li>▶ Range &gt;600km</li><li>▶ Up to 250kW power</li><li>▶ &gt;160km/h</li><li>▶ Wheel-base 2,8m</li></ul>	
L	<ul style="list-style-type: none"><li>▶ Inter-city delivery, people carrier</li><li>▶ Range &gt;700km</li><li>▶ Up to 250kW power</li><li>▶ &gt;160km/h</li><li>▶ Wheel-base 3,4m</li></ul>	



DeepDrive GmbH  
Auenbruggerstraße 15  
80999 Munich  
Germany

[weare@deepdrive.tech](mailto:weare@deepdrive.tech)