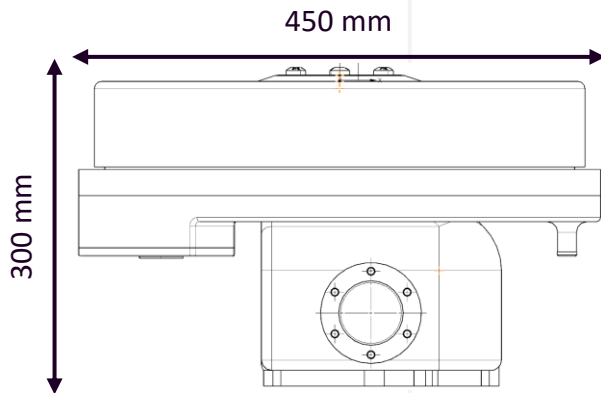




# DeepDrive RM4600 UFO – Datasheet

Name	Sym.	Min.	Typ.	Max.	Unit
Peak torque	$M_{30s}$		4650		Nm
Torque cont.	$M_{cont.}$		2100		Nm
Peak Power	$P_{30s}$		240		kW
Power cont.	$P_{cont.}$		150		kW
DC voltage	$U_{DC}$		650		V
DC-current	$I_{DC,30s}$		400		A
DC-current cont.	$I_{DC,cont.}$		250		A
Coolant temperature	$T_C$	-40	40	60	°C
Coolant flow rate	$Q_C$	2	8	12	l/min
Speed (output shaft)	$n_{max}$		1300		1/min
Mass incl. gearbox	$m$		70		kg
Diameter active part	$D_{act}$		431		mm
Length machine	$l_{machine}$		125		mm
Diameter max.	$D_{max}$		451		mm
Length incl. inverter	$l_{max}$		165		mm
Peak efficiency incl. gearbox	$\eta_{max}$		95,4		%



DeepDrive

